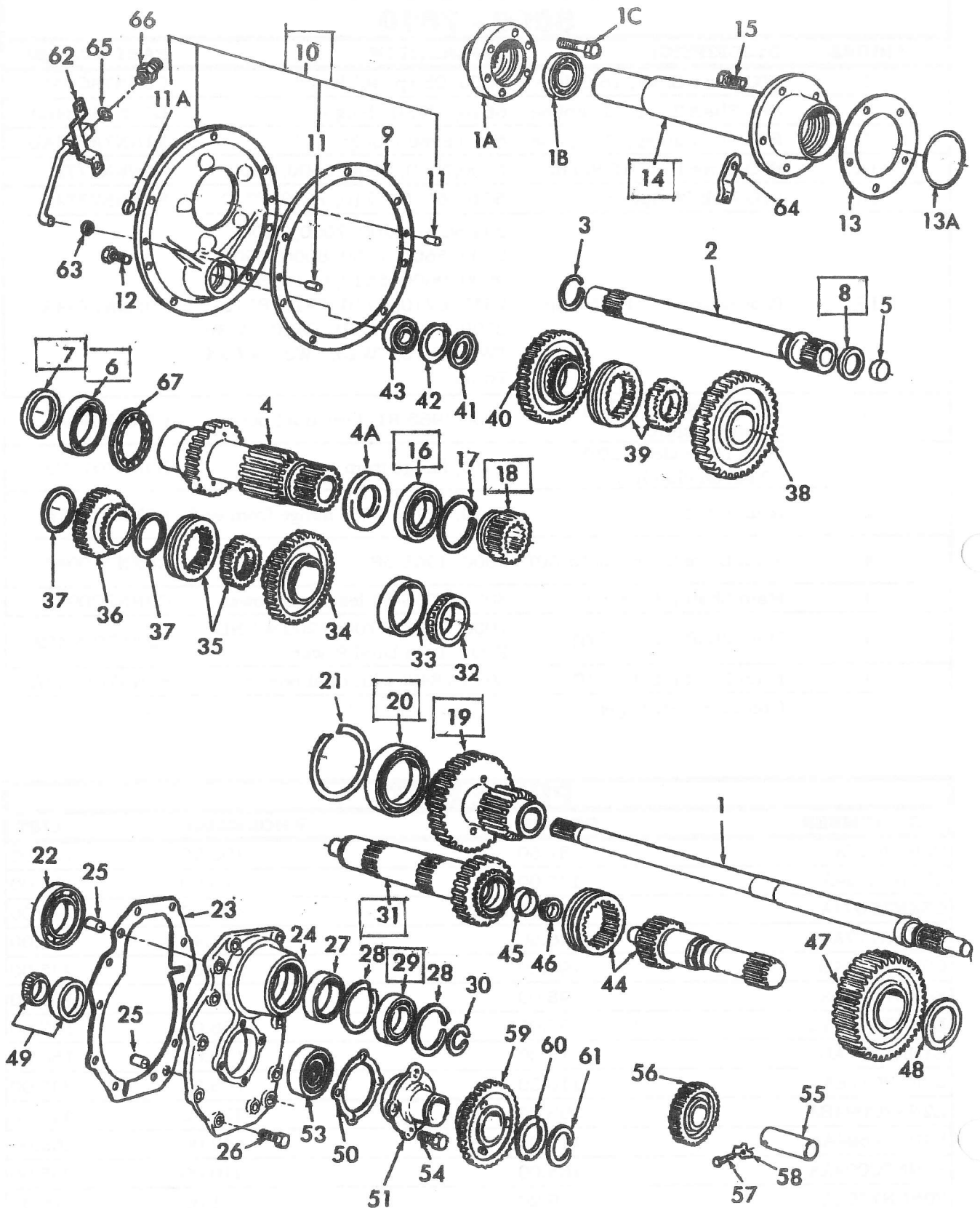


TRANSMISSION PARTS

5000 - 7610



TRANSMISSION PARTS 5000 - 7610

FIGURE	DESCRIPTION	APPLICATION	PART NUMBER
1	PTO Drive Shaft, 15 Spline	5000, 25 sp, 40" length	C5NN7A684A
1	PTO Shaft 20 sp/ 25 spline	6610, 39.91" length	E4NN7A684AA
1	PTO Shaft 20 sp/ 25 spline	6610 Syncro only	E1NN7A684AB
1A	PTO Drive Hub, 15 Spline	5000,7000, 5600, 6600, 7600.	C5NNN777A
1A	PTO Hub 20 Spline	5610, 6610, 6710, 7610, 7710	E1NNN777AB
1B	Pilot Bearing 1965 - up	Fits 5000, 5200, 7000, 7200, 5600, 6600, 7600, 8000, 8600, 9000, 9600, 5610, 6610, 5900, 7617, 6710, 7710, 7910, 8210, 8700, 9700, TW10, TW20, TW30, TW5, TW15, TW25, TW35 W/std Trans	F0NNN779AA
2	Main Drive Gear (20T) 25 spl on clutch	5000 1965-81 Less dual power	C5NN7017A
2	Main Drive Gear (20T) 10 spl on clutch	6610, flange from end 1.72"	E0NN7017HA
2	Main Drive Gear	5610, 6610 1.46" flange from end	E2NN7017EA
4	Main Drive Gear (16-16-30T)	5000 1965-68	C5NN7C094A
4	Main Shaft (16-18-30T)	5000 1965-84 less dual power	C9NN7C094B
4	Main Shaft (16-18-29T)	7000, 7600, 7700. 7200 w/IND PTO. Less Dual Power	E2NN7C094BA
4	Main Shaft (16-18-30T)	5610-7840 with dual power	E7NN7C094AA
6	Main Shaft Bearing	1965 - 1984 5000 - 7710; 8X2 trans	C5NN7N046A
7	Input Shaft Seal	5000 - 7710, 1965 - 1984: 8X2 std trans	83924926
8	Front Oil Seal PTO Drive Shaft	5000 - 8830, w/8sp, with or without dual power	81801990
10	Plate Assy	5000	C7NN7N054A
10	Plate Assy	5000, 5600	D8NN7N054BA
14	Support	5000, 6600	C5NN7N541B
14	Support	6610, 7610	E0NN7N541BB
18	Coupling	5000, 7610	E0NN7106BA
19	Counter Shaft Gear	5600, 6600, 5700, 6700, 7600, 7810 16th 35th 16th	C9NN7113B
19	Counter Shaft Gear	7600, 7700, 7610, 7710, 16th 34th 16th	D0NN7113C
20	Front Counter Shaft Bearing	5000 - 7740, 1965 - 1998; All with 8X2 trans, with or without dual power	20141040
29	Bearing For PTO Drive Shaft Rear	5000 -7740, 1965-1998; All With 8X2 trans with or without dual power	A29183
31	Countershaft (17-20-30-28T)	5000	C9NN7111B

31	Countershaft (15-20-29-28T)	7600, 7700	D2NN7111B
31	Countershaft 1987-Up	5610, 6610, 7610, 7710, 5640, 6640, 7740, 5610S, 6610S, 7610S	E6NN7111AA
32, 33	Bearing & Cup Assy. For Counter Shaft	5000 - 7740, 1965 - 1998; All with 8X2 trans, with or without dual power	81829466
34	Second Speed Gear (43-28T)	5000	E6NN7N101BA
35	Coupling Gear Set	5000-7740 1965-98. All with 8X2 trans with or without dual power	E6NN7N072BA
36	Reverse Gear	5000-7810S	E6NN7N012BA
38	1st Gear (46-28T)	5000-7810S	E6NN7N100BA
40	3rd Speed Gear (35-28T)	5000-7810S	C9NN7N315B
40	3rd Speed Gear (34-28T)	7600, 7700	D2NN7N315A
44	Coupling & Shaft Assy	5000-7610. Less dual power 1965-84 1" OD Pin	C9NN7N071B
44	Output Shaft & Coupling	84-Up 3/4 OD Pin 5610-Up	E6NN7N071BA
51	Pump Gear Support	5000	C7NN7049D
51	Pump Gear Support	6600-6610	C9NN7N085A
56	Reverse Idler Gear (31T)	5000	C5NN7141B
59	Pump Idler Gear (55T)	5000	D9NNN883AA