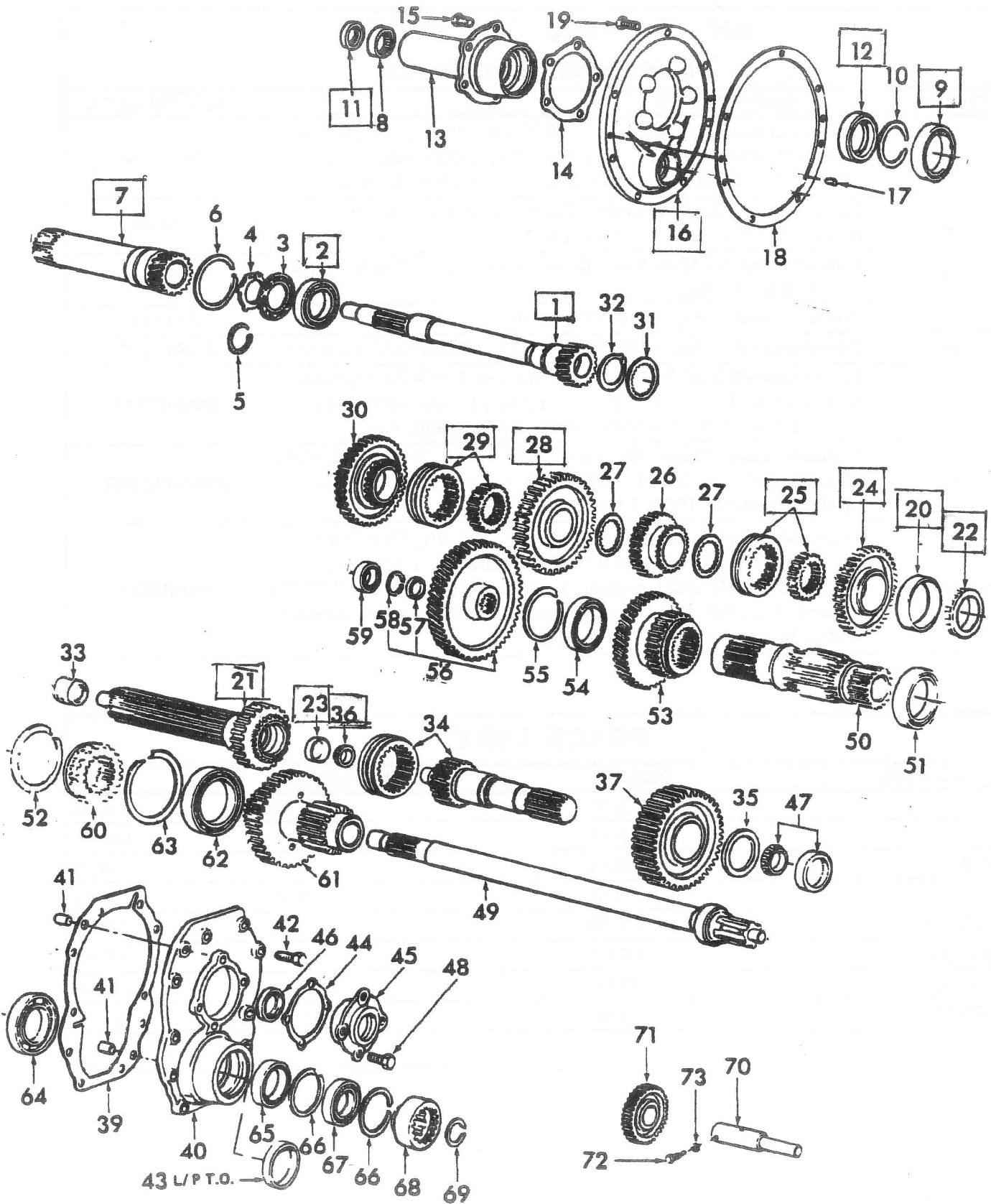


8 SPEED TRANSMISSION PARTS 2000 - 3610



8 SPEED TRANSMISSION PARTS

2000 - 3610

FIGURE	DESCRIPTION	PART NUMBER
1	Main Drive Gear (19T)	C7NN7017AB
2	Bearing	20943310
7	PTO Input Shaft Straight Tooth Gear - Must use D1NN791A Gear Also	D1NN772A
9	Bearing PTO Input Shaft	83908455
11	Oil Seal PTO Input Shaft Live PTO	81717245
12	Oil Seal PTO Input Rear with live PTO	83924923
16	Front Plate	C7NN7N054C
20 & 22	Bearing Cone & Roller Assy.	82930256
21	Main Shaft (30-28T)	C5NN7C095D
23 & 36	Bearing & Race Assy. Out Put Shaft	86705858
24	2nd Speed Gear (43-28T)	C5NN7102F
25	Gear Shift Sliding Gear Set	E6NN7N072AA
28	1st Speed Gear (46-28T)	C5NN7100F
29	Gear Shift Sliding Gear Set	E6NN7N072AA
30	3rd Speed Gear (35-29T)	C5NN7B340A
33	Bearing for Main Shaft	C5NN7120B
37	Gear Assy Output Shaft 49 and 28 teeth	E6NN7145AA
49	PTO Countershaft	C7NN702B
50	Countershaft (16-18-26T) Trans PTO	C5NN7111M
50	Countershaft Live PTO 18th	C5NN7111N
53	Countershaft Main Gear (30-56T)	C5NN7113D
54	Bearing for Counter Shaft	83908455
56	PTO Countershaft Gear - Use Only w/D1NN772A Input Shaft	D1NN791A
60	Countershaft Sliding Gear (21-21T)	E0NN7106BA
61	Countershaft Secondary Gear	C5NN7113B
62	Bearing Front Counter Shaft	20141040
67	Bearing PTO Drive	A29183
68	Coupling	C5NNN705A
71	Reverse Idler Gear (31T)	C5NN7141B